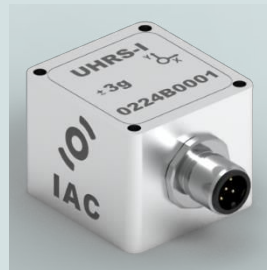
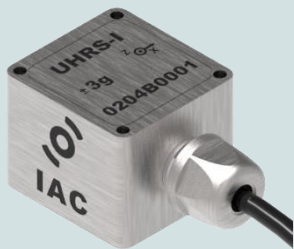


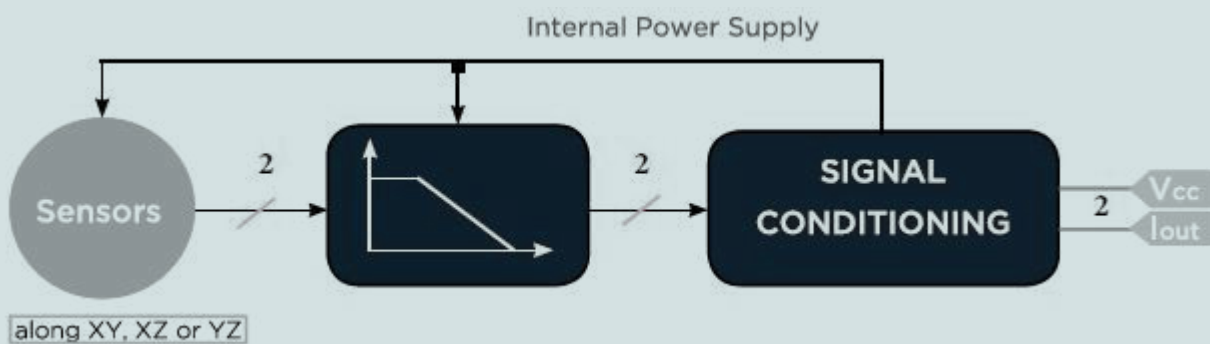
SEISMIC ACCELEROMETER (4-20mA)



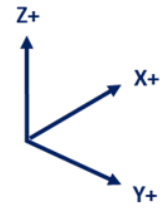
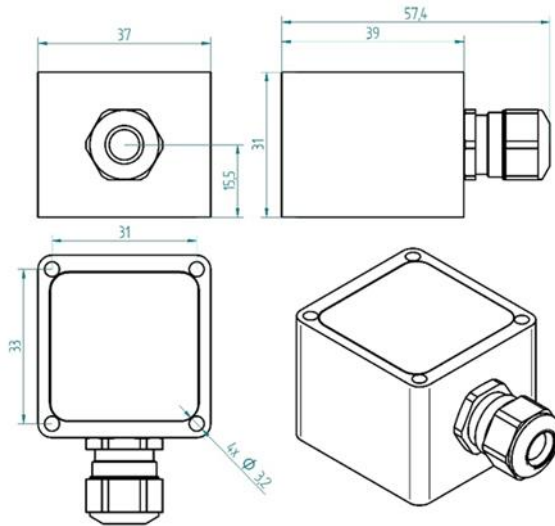
PROPERTIES

- 2-axes
- Background noise as low as $1\mu\text{g}/\sqrt{\text{Hz}}$
- Embedded 4..20mA signal conditioning
- Self-powered Current Loop
- Compact and rugged design
- IP67 ingress protection grade

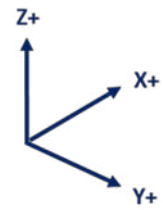
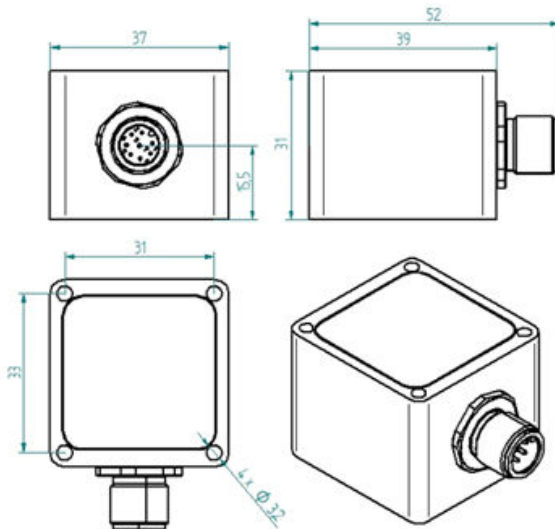
BLOCK DIAGRAM



DIMENSIONS - Cable Gland Model



DIMENSIONS - M12 Connector Model



MOUNTING ACCESSORIES

See "IAC - Accelerometer Accessories data sheet"

SPECIFICATIONS - All Models

OUTPUT/CHANNEL	Output Range	4-20mA
	Supply Voltage	10-30 VDC
	Lower frequency limit	0 Hz (DC)
	Non-linearity	± 0.5 % typ. - 1.5% max.
	Sensitivity Error	2%
	Transverse Sensitivity	2 % typ. - 3 % max.
	Offset	± 20 mg
	Destruction limit	1000g
ENVIRONMENTAL CHARACTERISTICS	Temperature Range	Operating -40 to 85°C / -40 to 185°F
	Drift of sensitivity	150 ppm/°C
	Drift of zero point	± 0.5 mg/°C
	Ingress protection grade	IP67
MECHANICAL DATA	Weight Without Cable (g)	⁽¹⁾ CG/198, CO/218 - ⁽²⁾ CG/112, CO/132
	Case Material	Stainless Steel or Aluminium
	Mounting	3.2 mm diameter holes (4x)

⁽¹⁾ Stainless Steel Casing AISI316 Grade (e.g. for offshore/marine environment)

⁽²⁾ Aluminium (MIL-A-8625 Type II coating)

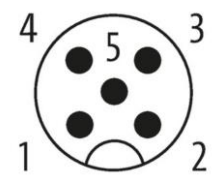
PERFORMANCES - By Model

Range - g	Sensitivity - mA/g	Freq. Response (-3dB) - Hz	Noise - µg/√Hz
+/- 3	2,67	0 - 500	1,0
+/- 5	1.60	0 - 650	1,5

ELECTRICAL CONNECTIONS - Cable Gland Model

Signal XY sensing	Signal XZ sensing	Signal YZ sensing	4 x 0,25 ²
Sensor supply + input	Sensor supply + input	Sensor supply + input	Brown
Sensor supply - input	Sensor supply - input	Sensor supply - input	White
X Axis Out	X Axis Out	Y Axis Out	Yellow
Y Axis Out	Z Axis Out	Z Axis Out	Green

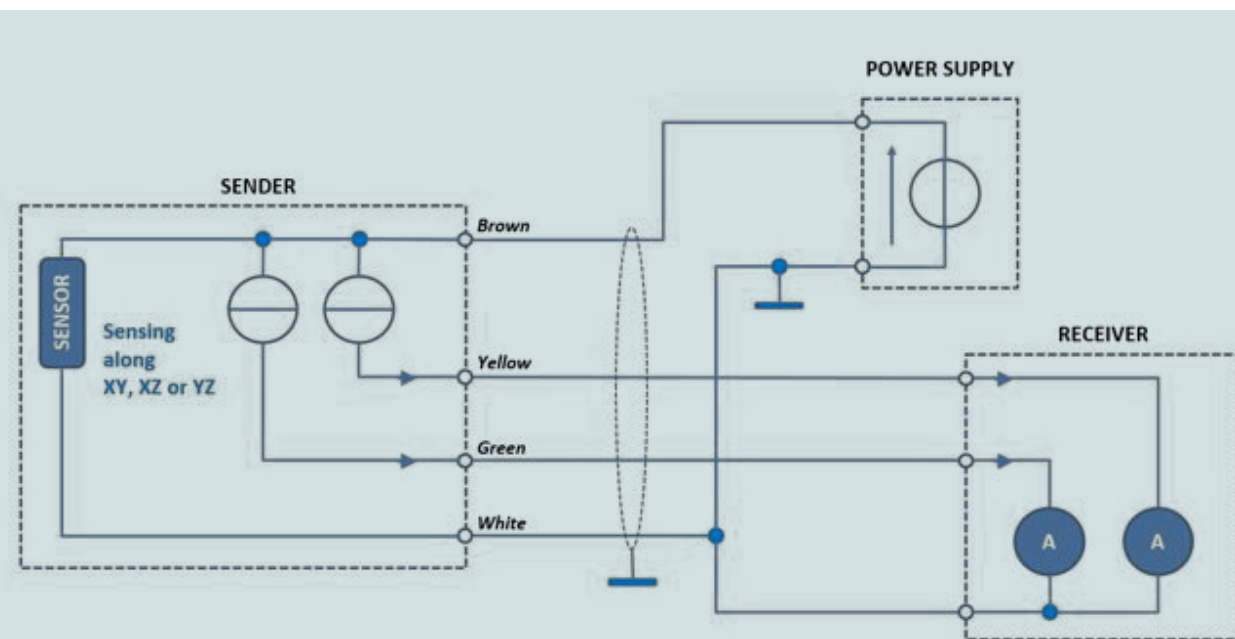
ELECTRICAL CONNECTIONS - M12 Connector Model

I 02		1	OUT 1	4-20mA current output
		2	OUT 2	4-20mA current output
		3	NC	-
		4	+24VDC	Sensor supply + input
		5	0VDC	Sensor supply - input

Selected Axes:

X	OUT 1	X	OUT 1	Y	OUT 1
Y	OUT 2	Z	OUT 2	Z	OUT 2

ELECTRICAL CONNECTIONS



ORDERING INFORMATION

IAC - UHRS - I - 02 - AA - XX - XX - Xg - XXXXHz - X - XX.X m

Sensing Axis	Cable Connection		Casing		Range	Low Pass Filter Frequencies		Low Pass Filter Orders		Cable Length Value in meter
	XY	CG Cable Gland	AL Aluminium	± 3g		0100 100Hz	1 1st order			
	XZ	CO M12	SS Stainless Steel	± 5g		0250 250Hz	2 2nd order			
YZ					0500 500Hz					