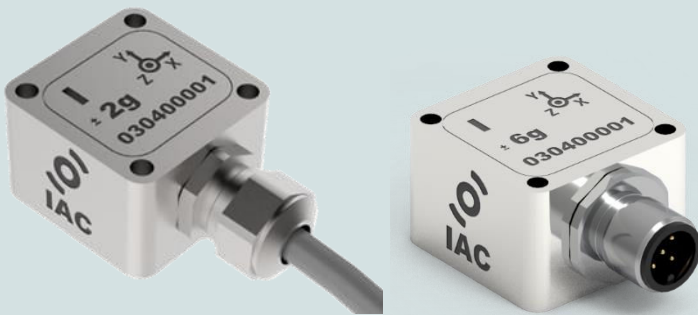


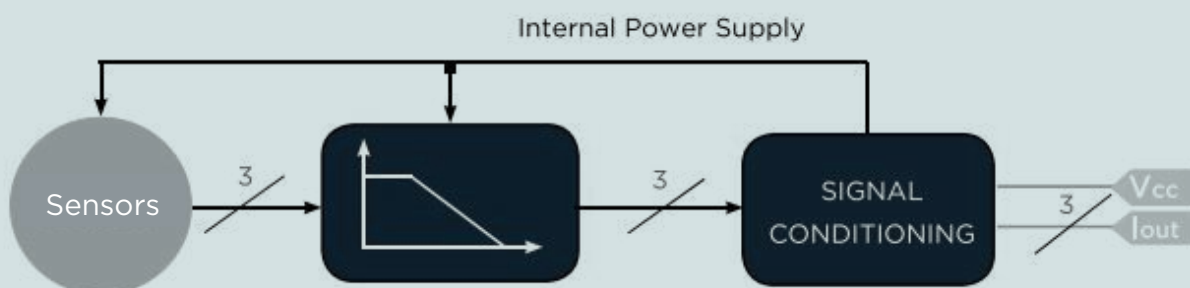
ROBUST ACCELEROMETER (4-20 mA)



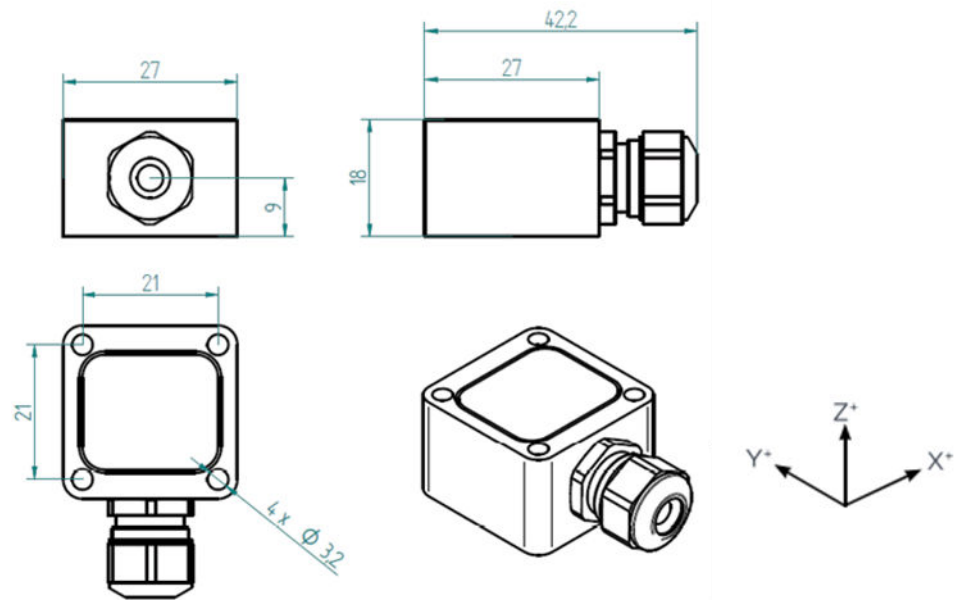
PROPERTIES

- 3 axes
- Suited for direct connection to standard control and measurement equipment, e.g. PLCs or panel meters
- Embedded 4..20mA signal conditioning
- Galvanically Isolated
- Protected against false polarization
- Compact and rugged design
- Protection grade IP67

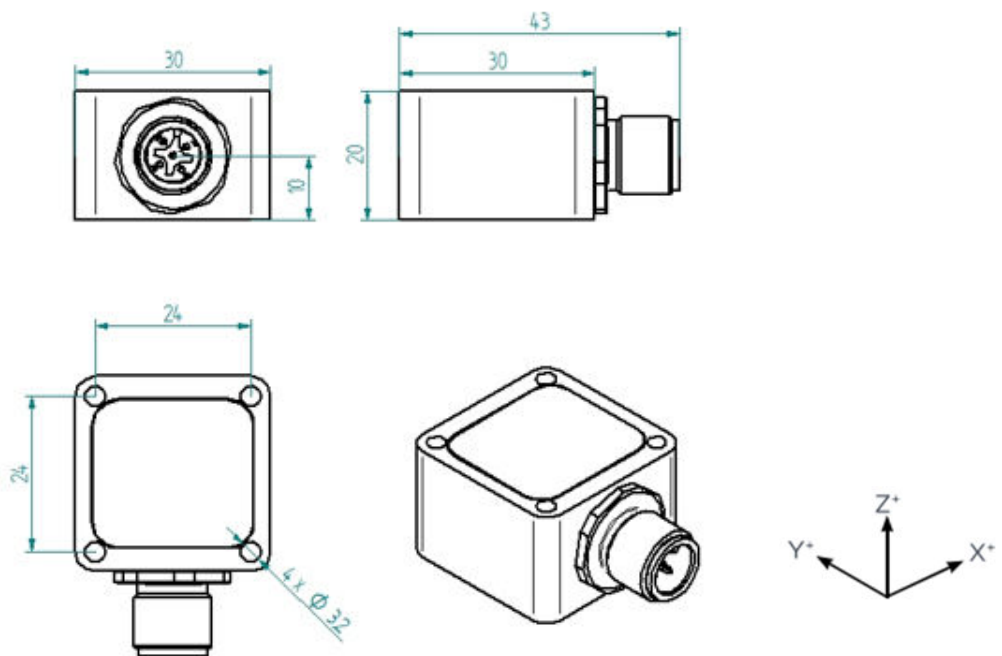
BLOCK DIAGRAM



DIMENSIONS - Cable Gland Model



DIMENSIONS - M12 Connector Model



MOUNTING ACCESSORIES

See " IAC - Accelerometer Accessories data sheet "

SPECIFICATIONS - ALL MODELS

OUTPUT/CHANNEL	Output Range	4-20mA	
	Supply Voltage	12-30 VDC	
	Measuring Range	± 2g or ± 6 g	
	Sensitivity	3.20mA/g (±2g range) or 1.07mA/g (±6g range)	
	Lower frequency limit	0 Hz (DC)	
	Upper 3 dB frequency limit	100, 250, 500 or 1000 Hz (1st and 2nd order)	
	Non-linearity	± 0.5 % F.S.	
	Residual noise	< 50 µg/√Hz	
	Transverse Sensitivity	< 5%	
	Destruction limit	± 5000g	
ENVIRONMENTAL CHARACTERISTICS	Operating temperature Range	Operating -20..85°C / -4..185°F	Non-Operating <-40 ; >85°C / <-40; >185°F
	Temperature coefficient of sensitivity	± 0.01 % /°C	
	Temperature drift of zero point	± 0.05 mg/°C	
	Protection grade	IP67	
MECHANICAL DATA	Weight Without Cable (g)	⁽¹⁾ CG/80, CO/125 - ⁽²⁾ CG/46, CO/84	
	Case Material	Stainless Steel or Aluminium	
	Mounting	3.2 mm diameter holes (4x)	

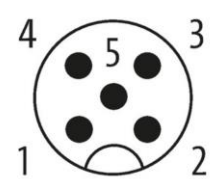
⁽¹⁾ Stainless Steel Casing AISI316 Grade (e.g. for offshore/marine environment)

⁽²⁾ Aluminum (MIL-A-8625 Type II coating)

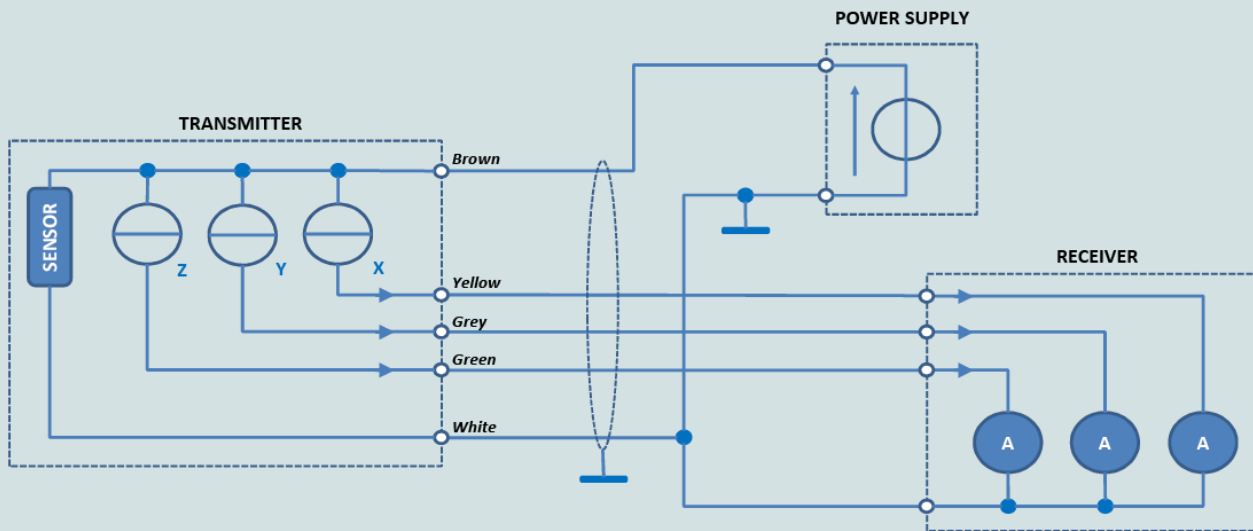
ELECTRICAL CONNECTIONS - Cable Gland Model

Signal X sensing	Signal Y sensing	Signal Z sensing	5 x 0,25 ²
Sensor supply + input	Sensor supply + input	Sensor supply + input	Brown
Sensor supply - input	Sensor supply - input	Sensor supply - input	White
X Axis Out			Yellow
	Y Axis Out		Grey
		Z Axis Out	Green

ELECTRICAL CONNECTIONS - M12 Connector Model

I 03		1	OUT X	4-20mA current output
		2	OUT Y	4-20mA current output
		3	OUT Z	4-20mA current output
		4	+24VDC	Sensor supply + input
		5	0VDC	Sensor supply - input

ELECTRICAL CONNECTIONS



ORDERING INFORMATION

IAC	-	I	-	03	-	XX	-	XX	-	Xg	-	XXXXHz	-	X	-	XX.X m
Cable Connection		Casing		Range		Low Pass Filter Frequencies		Low Pass Filter Orders		Cable Length						
CG	Cable Gland	AL	Aluminium	± 2g	0100	100Hz	1	1st order	Value in meter							
CO	M12	SS	Stainless Steel	± 6g	0250	250Hz	2	2nd order								
					0500	500Hz										
					1000	1000Hz										