

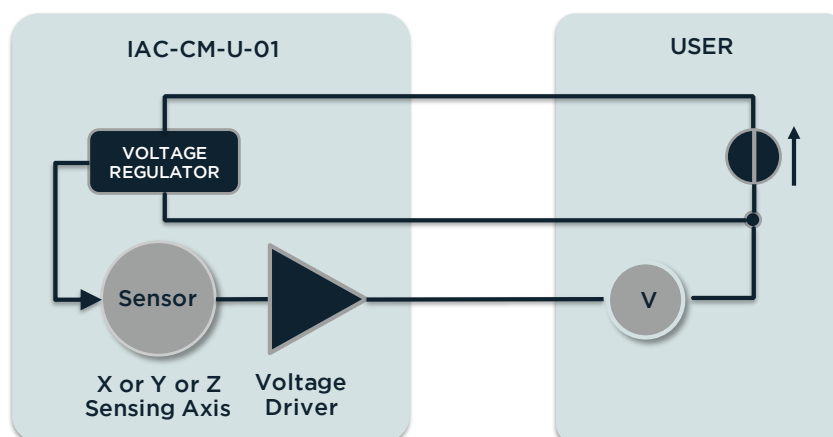
### ACCELEROMETER FOR CONDITION MONITORING



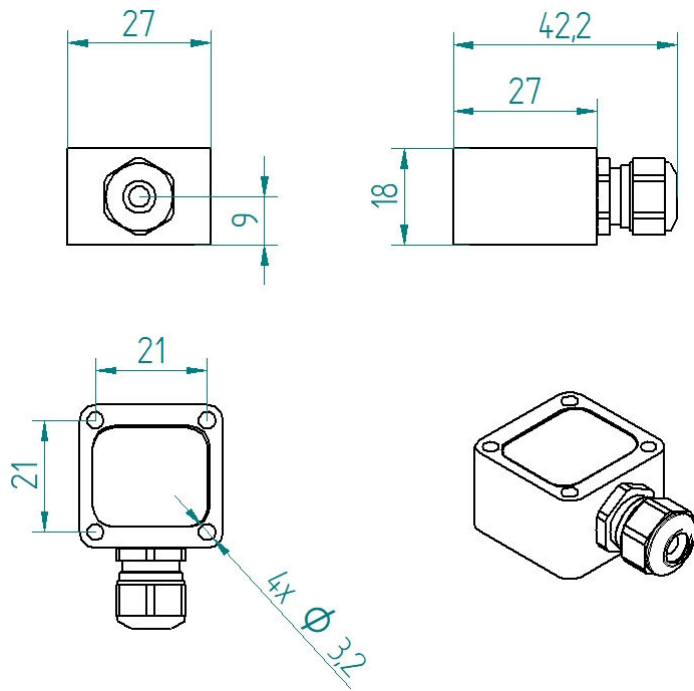
#### PROPERTIES

- 1-axis
- Wide bandwidth (0 - 24kHz)
- Embedded 0 - 5V signal conditioning
- Self-powered current loop
- Galvanically isolated
- Protected against false polarization
- Compact and rugged design
- IP67 ingress protection grade

#### BLOCK DIAGRAM



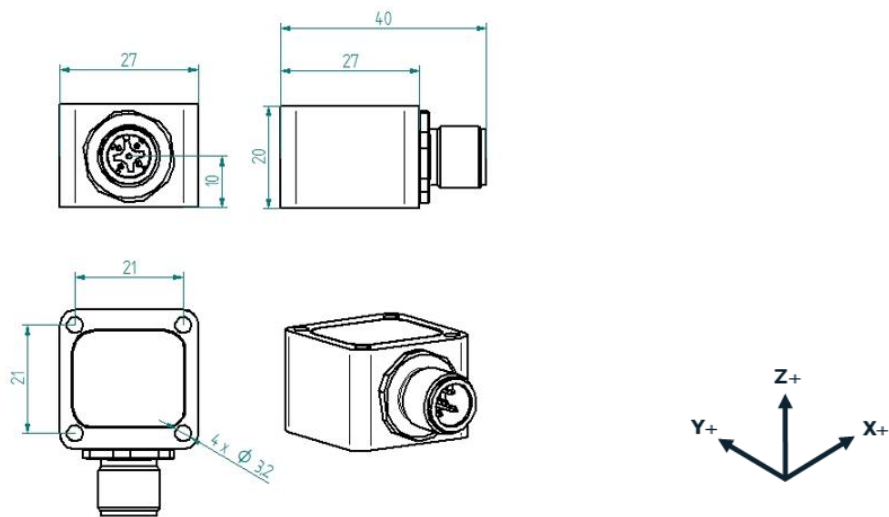
## DIMENSIONS - Cable Gland Model



### NOTE

When mounted with sensing axis vertical all units will indicate 1g offset due to gravity

## DIMENSIONS - M12 Connector Model



## MOUNTING ACCESSORIES

See "IAC - Accelerometer Accessories data sheet"

## SPECIFICATIONS - ALL MODELS

<b>OUTPUT/CHANNEL</b>	Output Range	0-5V	
	Supply Voltage	12-30V	
	Bandwidth (-3dB)	0-24kHz	
	Non-linearity	0.5% F.S. typ. - 1.5% F.S. max.	
	Sensitivity Error	2%	
	Transverse Sensitivity	2% typ. - 5% max.	
	Offset dispersion	±1g typ. - ±2g max.	
	Destruction limit	1000g	
<b>ENVIRONMENTAL CHARACTERISTICS</b>	Temperature Range	Operating -40 to 125°C / -40..185°F	Non-Operating <-55 ; >125°C / <-67 ; >257°F
	Sensitivity drift	±500ppm/°C	
	Offset drift	±50mg/°C	
	Ingress protection grade	IP67	
<b>MECHANICAL DATA</b>	Weight Without Cable (g)	<sup>(1)</sup> CG/75, CO/102 - <sup>(2)</sup> CG/42, CO/68	
	Case Material <sup>(1)</sup>	Stainless Steel or Aluminium	
	Mounting	3.2mm diameter holes (4x)	

<sup>(1)</sup> Stainless Steel Casing AISI316 Grade (e.g. for offshore/marine environment)

<sup>(2)</sup> Aluminium (MIL-A-8625 Type II coating)

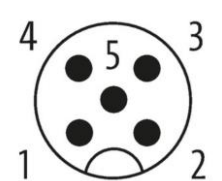
## PERFORMANCES - BY MODEL

Range - g	Sensitivity - mV/g	Freq. Response (-3dB) - kHz	Noise - µg/√Hz
+/- 25	80	0 - 10	40
+/- 50	40	0 - 10	40
+/- 100	20	0 - 10	45
+/- 200	10	0 - 15	70
+/- 500	4	0 - 24	150

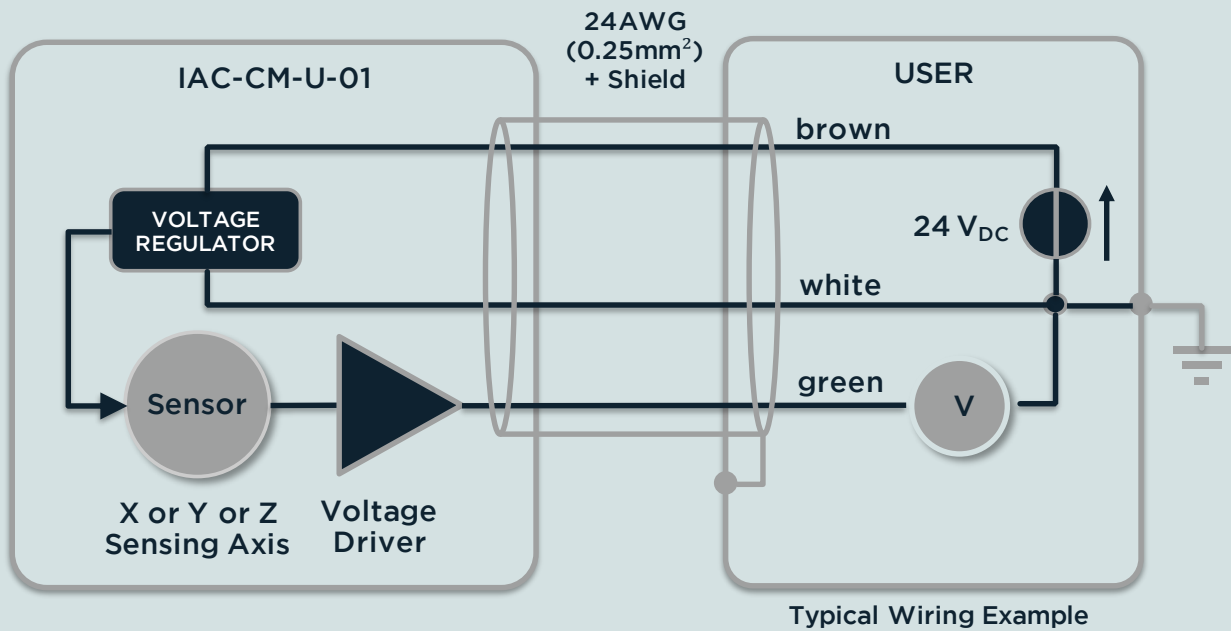
## ELECTRICAL CONNECTIONS - Cable Gland Model

Signal X sensing	Signal Y sensing	Signal Z sensing	3 x 0,25 <sup>2</sup>
Sensor supply + input	Sensor supply + input	Sensor supply + input	Brown
Sensor supply - input	Sensor supply - input	Sensor supply - input	White
X Axis Out			Green
	Y Axis Out		Green
		Z Axis Out	Green

## ELECTRICAL CONNECTIONS - M12 Connector Model

<b>U 01</b>		1	OUT	Voltage unipolar output
		2	NC	-
		3	NC	-
		4	+24VDC	Sensor supply + input
		5	0VDC	Sensor supply - input

## ELECTRICAL CONNECTIONS



## ORDERING INFORMATION

IAC - CM - U - 01 - A - XX - Xg - XX - XX.X m

Sensing Axis	Cable Connection		Range	Casing		Cable Length
X	CG	Cable Gland	± 25g	AL	Aluminium	Value in meter
Y	CO	M12	± 50g	SS	Stainless Steel	
Z			± 100g			
			± 200g			
			± 500g			