

FEATURES

- Designed for OEM and high quantity Applications
- Slim, low profile design
- Materials testing and applied force validation

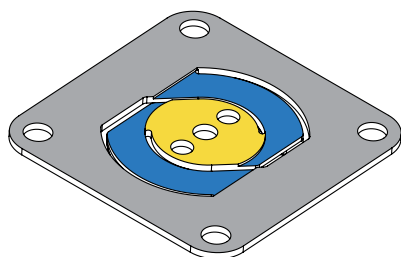
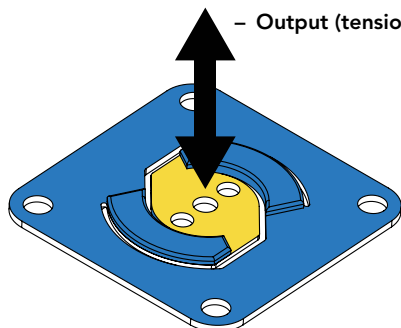
Active end

Fixed end

Non-loading surface, do not contact

+ Output (compression)

- Output (tension)



SPECIFICATIONS

PERFORMANCE

Capacity	1 lb
Nonlinearity	±0.25% of RO
Hysteresis	±0.25% of RO
Nonrepeatability	±0.1% of RO

ELECTRICAL

Rated Output (RO)	1.5 mV/V nom
Excitation (VDC or VAC)	10 max
Bridge Resistance	350 Ohm nom
Insulation Resistance	≥500 MOhm @ 50 VDC
Connection	#29 AWG, 4 conductor, Teflon wire 6 in [152 mm] long

Wiring Code WC1

MECHANICAL

Weight	0.1 oz [2.8 g]
Safe Overload	150% of RO
Deflection	0.004 in [0.10 mm] nom
Material	300 series stainless-steel
IP Rating	IP00

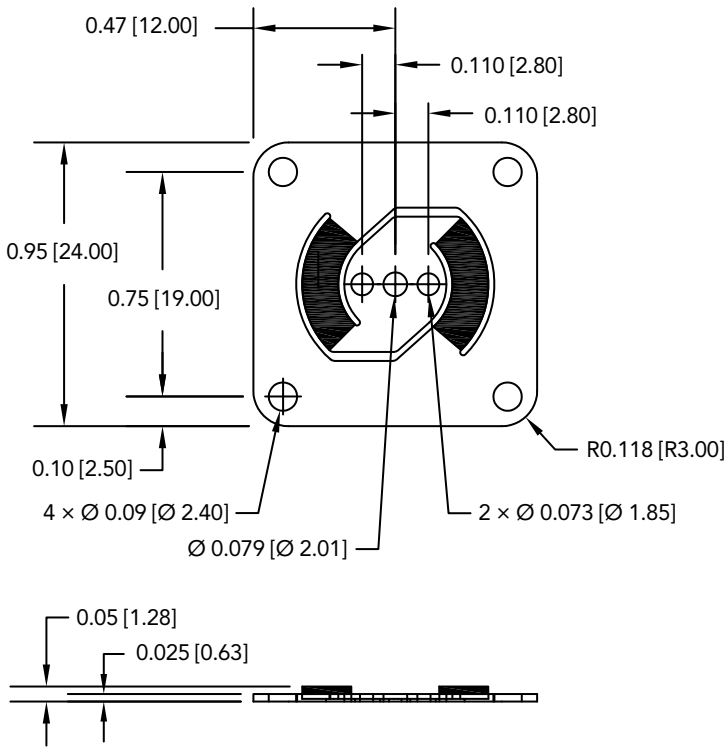
TEMPERATURE

Operating Temperature	-60 to 200°F [-51 to 93°C]
Compensated Temperature	60 to 160°F [15 to 72°C]
Temperature Shift Zero	±0.02% of RO/°F [0.036% of RO/°C]
Temperature Shift Span	±0.02% of Load/°F [0.036% of Load/°C]

CALIBRATION

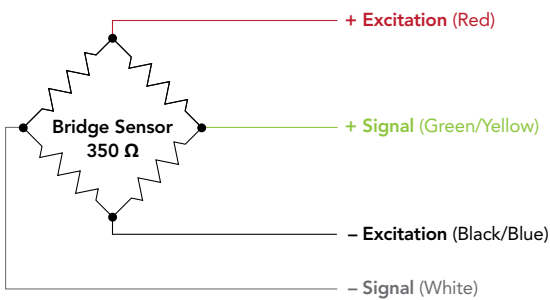
Calibration Test Excitation	5 VDC
Calibration (standard)	5-pt compression
Calibration (available)	Tension and compression
Shunt Calibration Value	60.4 kOhm

DIMENSIONS inches [mm]

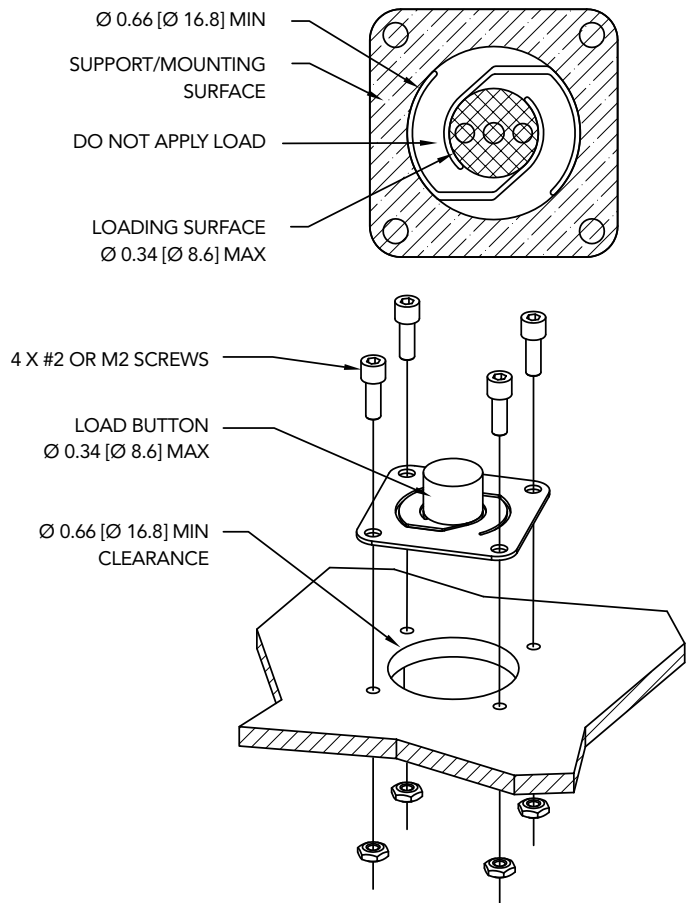


WIRING CODE (WC1)

RED	+ EXCITATION
BLACK	- EXCITATION
GREEN	+ SIGNAL
WHITE	- SIGNAL



MOUNTING GUIDE inches [mm]



Drawing Number: FI1117-E

FUTEK reserves the right to modify its design and specifications without notice. Please visit www.futek.com/salesterms for complete terms and conditions.

10 Thomas, Irvine, CA 92618 USA

Tel: (949) 465-0900

Fax: (949) 465-0905

www.futek.com



U.S. Manufacturer