



FEATURES

- 5 times smaller than conventional torque sensors
- 10 times more accurate than current loop torque measurement
- Sized to mount to precision servo motors

Active End

+ Output (CW) - Output (CCW)



SPECIFICATIONS

PERFORMANCE

Nonlinearity $\pm 0.5\%$ of RO

Nonrepeatability $\pm 0.2\%$ of RO

ELECTRICAL

Rated Output (RO) 1.6 mV/V nom [1 Nm]
1.4 mV/V nom [2 Nm]

Excitation (VDC or VAC) 7 max

Bridge Resistance 350 Ohm nom [1 Nm]
1000 Ohm nom [2 Nm]

Connection #34 AWG, 4 conductor, braided shielded cable
0.5 ft [0.15 m] long

Wiring Code WC1

MECHANICAL

Weight 0.02 lb [9.1 g]

Safe Overload 150% of RO [1 Nm]
150% of RO [2 Nm]

Material Aluminum

IP Rating IP20

TEMPERATURE

Operating Temperature -60 to 200°F [-51 to +93°C]

Compensated Temperature 60 to 160°F [16 to 71°C]

Temperature Shift Zero $\pm 0.02\%$ of RO/°F [$\pm 0.036\%$ of RO/°C]

Temperature Shift Span $\pm 0.04\%$ of LOAD/°F [$\pm 0.072\%$ of LOAD/°C]

CALIBRATION

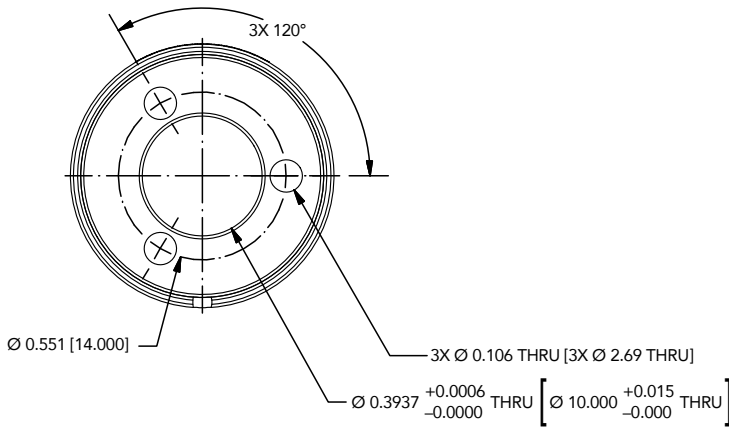
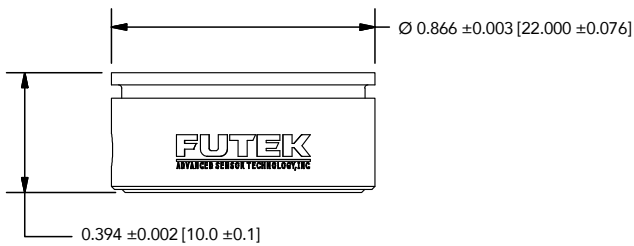
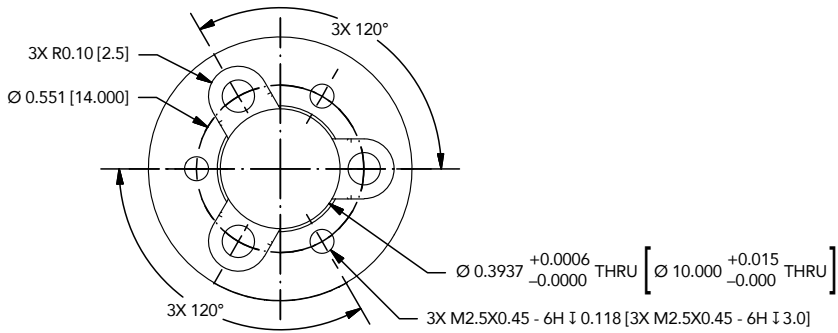
Calibration Test Excitation 5 VDC

Calibration (standard) Certificate of Conformity

Calibration (available) 5-pt CW & CCW

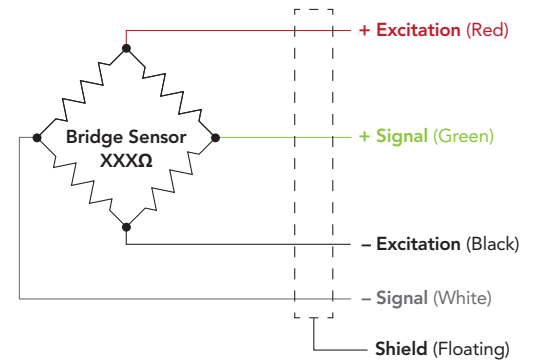
Shunt Calibration Value 60.4 kOhm [1 Nm]
301 kOhm [1.5 Nm]
200 kOhm [2 Nm]

DIMENSIONS



WIRING CODE WC1

RED	+ EXCITATION
BLACK	- EXCITATION
GREEN	+ SIGNAL
WHITE	- SIGNAL
SHIELD	FLOATING



CAPACITIES

ITEM #	in-lb	Nm	Torsional Stiffness (in-lb/rad)	Natural Frequency (Hz)
QSH02113	8.9	1	3600	7700
QSH02116	17.7	2	10600	13550

Drawing Number: F11423-B

FUTEK reserves the right to modify its design and specifications without notice. Please visit www.futek.com/salesterms for complete terms and conditions.

10 Thomas, Irvine, CA 92618 USA

Tel: (949) 465-0900

Fax: (949) 465-0905

www.futek.com



U.S. Manufacturer