




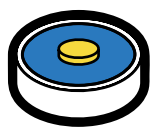
FEATURES

- Ultra fast response
- Robust strain relief
- Low deflection
- 17-4 stainless-steel construction
- For use in compression
- Adheres to RoHS directive 2011/65/EU

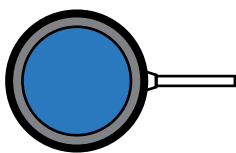
 Non-loading surface, do not contact

 Active End

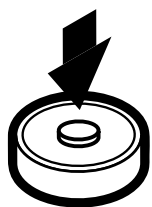
 Fixed End



Top view



Bottom view



+ Output (compression)

SPECIFICATIONS

PERFORMANCE

| | |
|------------------|-------------|
| Nonlinearity | ±0.2% of RO |
| Hysteresis | ±0.2% of RO |
| Nonrepeatability | ±0.1% of RO |

ELECTRICAL

| | |
|-------------------------|---|
| Rated Output (RO) | 2.5 mV/V (1000 lb) 1 mV/V (50, 250 lb) 2 mV/V (25, 100, 500 lb) |
| Excitation (VDC or VAC) | 18 max |
| Bridge Resistance | 700 Ohm nom |
| Insulation Resistance | ≥500 MOhm @ 50 VDC |
| Connection | #29 AWG, 4 conductor, spiral shielded Teflon cable 10-ft [3 m] long |
| Wiring/Connector Code | WC1 |

MECHANICAL

| | |
|---------------|-------------------------|
| Weight | 1.2 oz [34 g] |
| Safe Overload | 150% of RO |
| Deflection | See chart on next page |
| Material | 17-4 PH stainless-steel |
| IP Rating | IP64 |

TEMPERATURE

| | |
|-------------------------|--|
| Operating Temperature | -60 to 250°F (-50 to 121°C) |
| Compensated Temperature | 60 to 250°F (15 to 121°C) |
| Temperature Shift Zero | ±0.01% of RO/°F (±0.018% of RO/°C) |
| Temperature Shift Span | ±0.02% of Load/°F (±0.036% of Load/°C) |

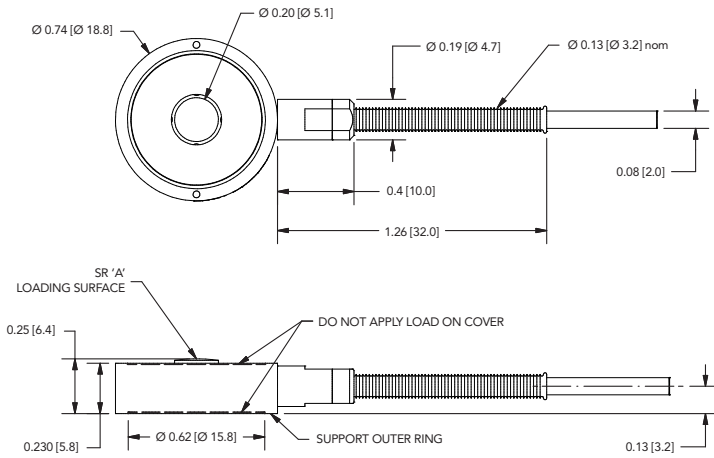
CALIBRATION

| | |
|-----------------------------|------------------|
| Calibration Test Excitation | 10 VDC |
| Calibration (std) | 5-pt Compression |
| Shunt Calibration Value | 100 kOhm |

CONFORMITY

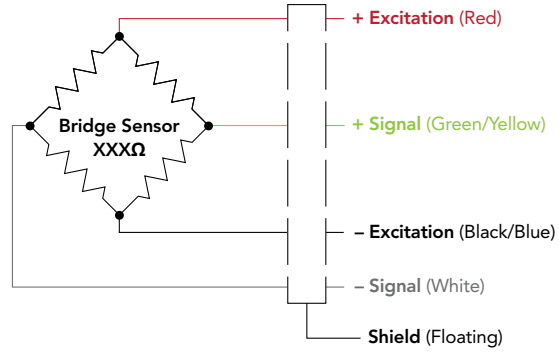
| | |
|------|------------------------------|
| RoHS | 2011/65/EU |
| CE | EN55011:2009; EN61326-1:2006 |

DIMENSIONS inches [mm]



WIRING CODE (WC1 WITH SHIELD)

| | |
|--------|--------------|
| RED | + EXCITATION |
| BLACK | - EXCITATION |
| GREEN | + SIGNAL |
| WHITE | - SIGNAL |
| SHIELD | FLOATING |



CAPACITIES

| ITEM # | lb | N | Deflection (in) | Natural Frequency (kHz) |
|----------|------|------|-----------------|-------------------------|
| FSH03939 | 25 | 111 | 0.0007 | 21 |
| FSH03954 | 50 | 222 | 0.0003 | 34 |
| FSH03955 | 100 | 445 | 0.0007 | 34 |
| FSH03938 | 250 | 1112 | 0.0004 | 52 |
| FSH03953 | 500 | 2224 | 0.0007 | 52 |
| FSH03937 | 1000 | 4448 | 0.001 | 58 |

Drawing Number: F11119-F

FUTEK reserves the right to modify its design and specifications without notice. Please visit <http://www.futek.com/salesterms> for complete terms and conditions.

10 Thomas, Irvine, CA 92618 USA

Tel: (949) 465-0900
Fax: (949) 465-0905

www.futek.com



RoHS



U.S. Manufacturer