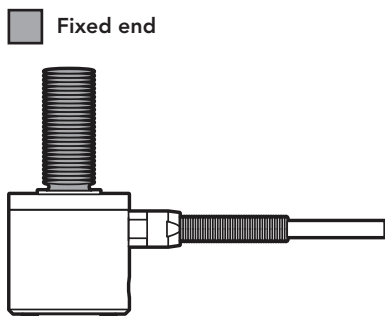
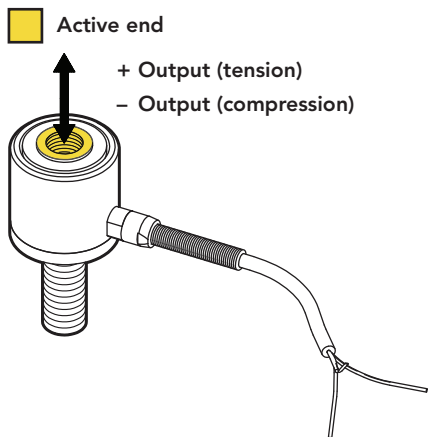




FEATURES

- Incredibly fast
- Low deflection, light weight
- For use in both tension and compression
- Can easily thread in line into a threaded rod or actuator



SPECIFICATIONS

PERFORMANCE

Nonlinearity	±0.5% of RO
Hysteresis	±0.5% of RO
Nonrepeatability	±0.1% of RO

ELECTRICAL

Rated Output (RO)	1 mV/V (1000 lb) 2 mV/V (2000 lb) 3 mV/V (3000 lb)
Excitation (VDC or VAC)	18 max
Bridge Resistance	1000 Ohm nom
Insulation Resistance	≥500 MOhm @ 50 VDC
Connection	#28 AWG, 4 conductor, shielded PVC cable 10 ft [3 m] long
Wiring Code	WC1

MECHANICAL

Weight	3.5 oz [99 g]
Safe Overload	150% of RO
Material	17-4 PH stainless-steel
IP Rating	IP64

TEMPERATURE

Operating Temperature	-45 to 200°F [-42 to 93°C]
Compensated Temperature	60 to 160°F [15 to 72°C]
Temperature Shift Zero	±0.005% of RO/°F [0.01% of RO/°C]
Temperature Shift Span	±0.01% of Load/°F [0.018% of Load/°C]

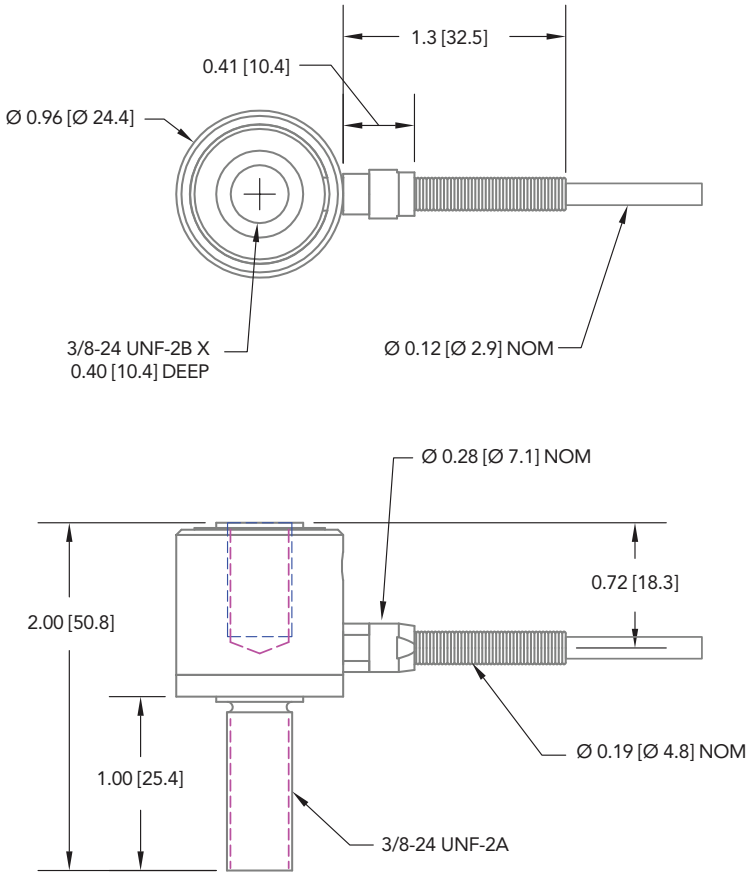
CALIBRATION

Calibration Test Excitation	10 VDC
Calibration (standard)	5-pt tension
Calibration (available)	Compression
Shunt Calibration Value	301 kOhm (1000 lb) 150 kOhm (2000 lb) 100 kOhm (3000 lb)

CONFORMITY

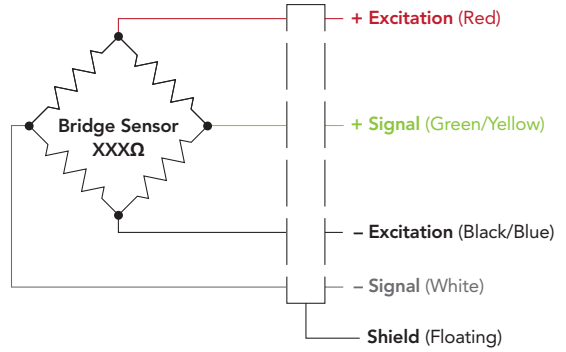
RoHS	2011/65/EU
CE	EN55011:2009; EN61326-1:2006

DIMENSIONS inches [mm]



WIRING CODE (WC1 WITH SHIELD)

RED	+ EXCITATION
BLACK	- EXCITATION
GREEN	+ SIGNAL
WHITE	- SIGNAL
SHIELD	FLOATING



CAPACITIES

ITEM #	lb	N	Deflection (in)	Natural Frequency (Hz)
FSH04011	1000	4448	0.0005	21100
FSH04013	2000	8896	0.0010	21100
FSH04014	3000	13344	0.0015	21100

Drawing Number: FI1407-C

FUTEK reserves the right to modify its design and specifications without notice. Please visit www.futek.com/salesterms for complete terms and conditions.

10 Thomas, Irvine, CA 92618 USA

Tel: (949) 465-0900
Fax: (949) 465-0905

www.futek.com



RoHS



U.S. Manufacturer